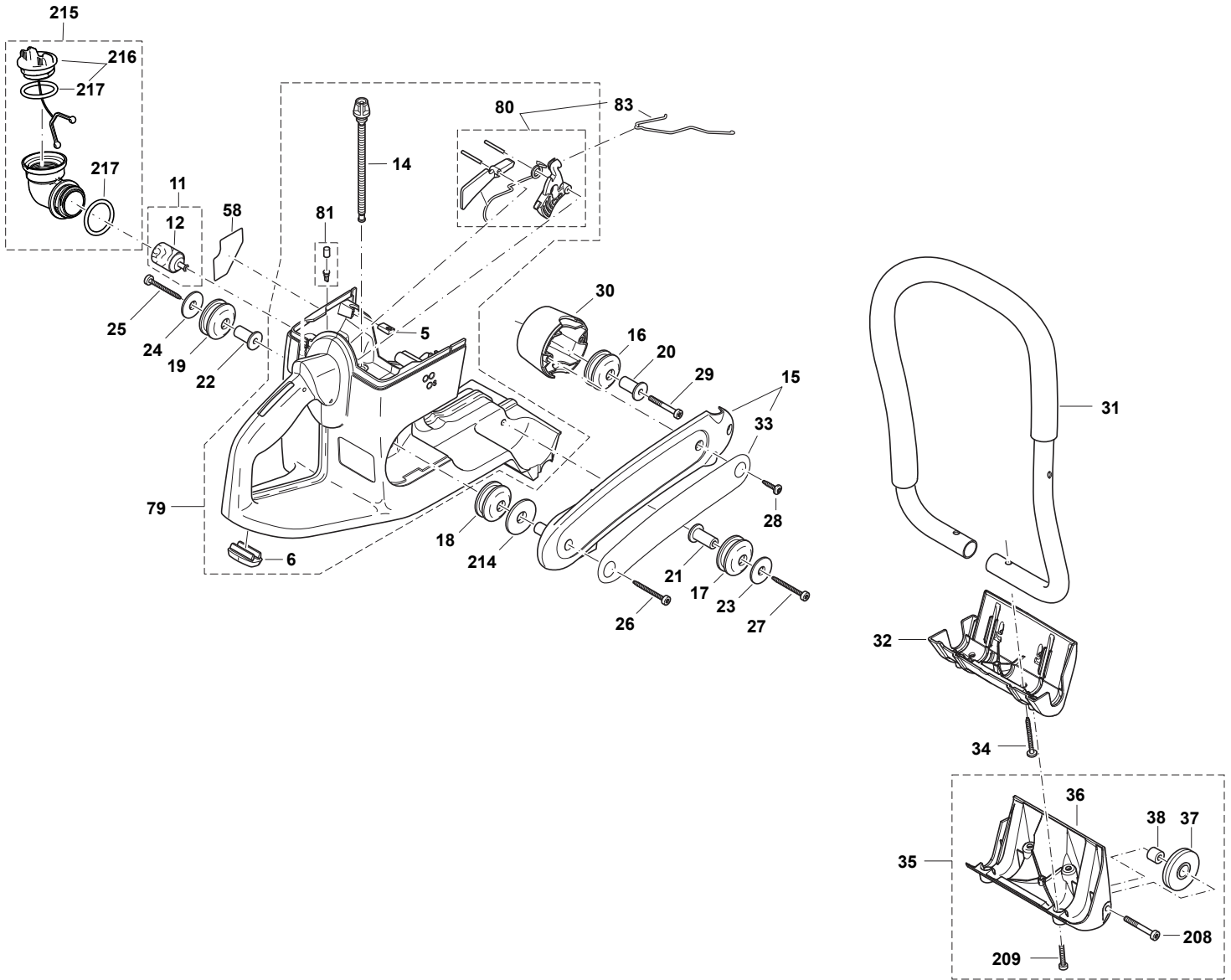




EK7301



Products with multiple versions are listed in subsiding order with the newest version on top not indented.

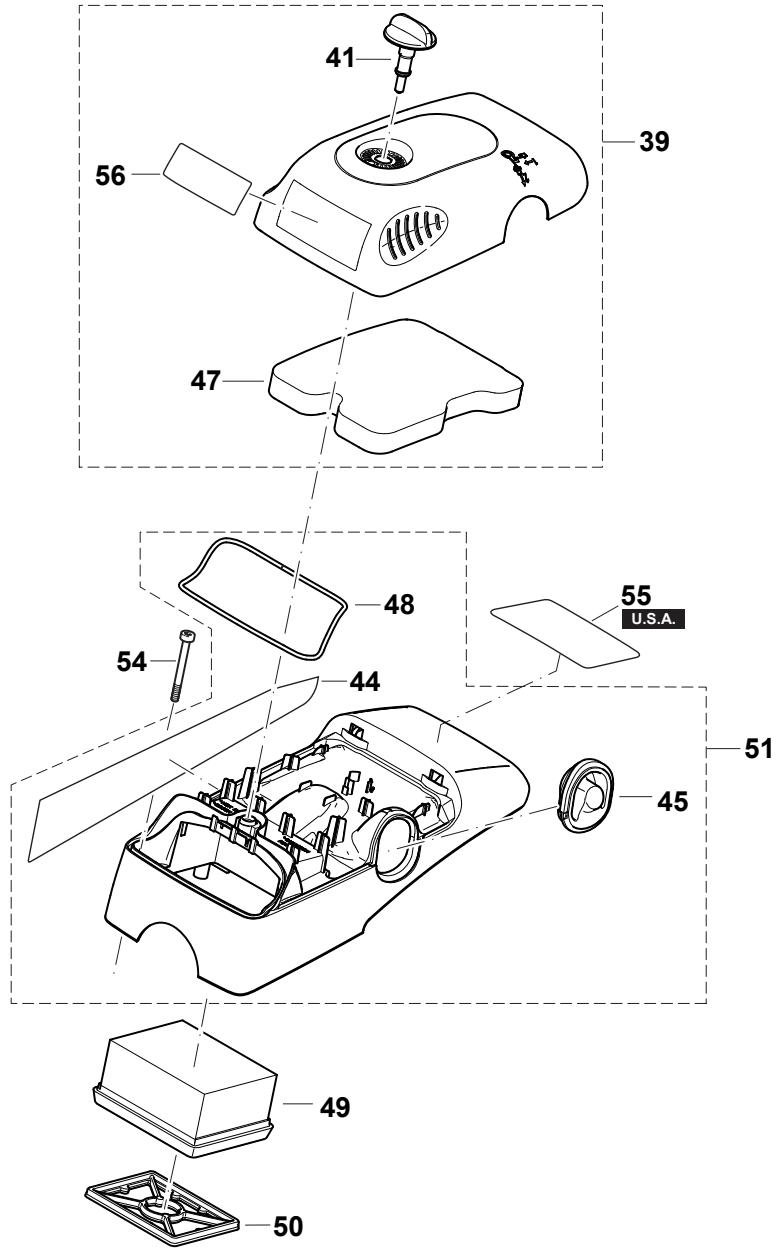
Corresponding technical bulletins are attached.

Section	Fig. No.	Part No.	Description	EK7301	Tech Bulletin	Notes
1	5	394-114-100	SCREW PLUG	4		
1	6	394-114-070	RUBBER FOOT	1		
1	11	010-114-010	SUCTION HEAD	1		
1	11	963-601-122	SUCTION HEAD	1		
1	12	963-601-240	FELT	1		
1	14	965-404-912	FUEL LINE, DPC6400	1		
1	14	965-404-911	FUEL LINE	1		
1	16	965-403-535	RUBBER BUFFER	1		
1	17	965-403-535	RUBBER BUFFER	1		
1	18	965-403-535	RUBBER BUFFER	1		
1	19	965-403-535	RUBBER BUFFER	1		
1	20	394-114-281	AXLE	1		
1	21	394-114-281	AXLE	1		
1	22	394-114-281	AXLE	1		
1	23	900-005-078	WASHER	1		
1	24	900-005-078	WASHER	1		
1	25	913-455-454	SCREW	1		
1	26	913-455-454	SCREW	1		
1	27	913-455-454	SCREW	1		
1	28	913-455-204	SCREW	2		
1	29	908-305-405	SCREW	1		
1	30	395-310-020	POT	1		
1	31	394-310-101	WRAP AROUND HANDLE CPL., EK7301	1		
1	31	394-310-100	WRAP AROUND HANDLE	1		
1	32	394-114-190	FOOT	1		
1	33	980-115-215	LABEL	1		
1	34	913-455-454	SCREW	2		
1	35	394-114-271	FOOT CPL.	1		
1	37	394-114-230	ROLLER	2		
1	38	394-114-240	BUSHING	2		
1	58	980-115-099	LABEL	1		
1	79	395-114-641	TANK CPL. BLUE	1		
1	79	395-114-640	TANK CPL. BLUE	1		
1	80	957-117-040	THROTTLE MECHANISM, CPL.	1		

Products with multiple versions are listed in subsiding order with the newest version on top not indented.

Corresponding technical bulletins are attached.

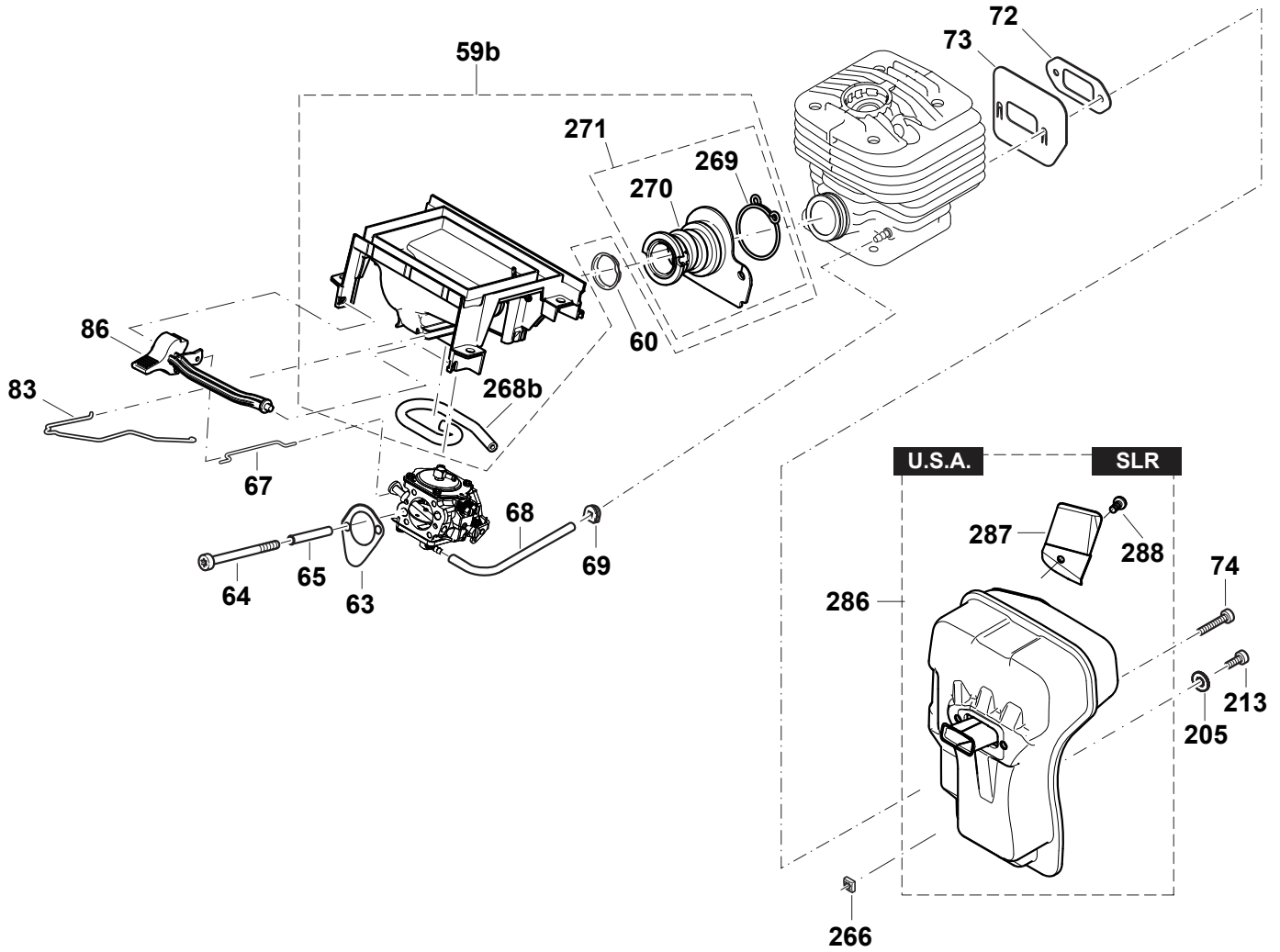
Section	Fig. No.	Part No.	Description	EK7301	Tech Bulletin	Notes
1	81	195762-4	AIR VALVE SET	1		
1	81	170-175-010	AIR VALVE CPL.	1		
1	83	395-117-011	THROTTLE LINKAGE	1		
1	83	395-117-010	THROTTLE LINKAGE	1		
1	208	908-006-355	SCREW	2		
1	209	908-905-165	SCREW	4		
1	214	900-005-076	WASHER	1		
1	215	395-114-300	ANGULAR UNION ASSY.	1		
1	216	181-114-202	TANK CAP CPL.	1		
1	217	963-229-036	PACKING RING	2		



Products with multiple versions are listed in subsiding order with the newest version on top not indented.

Corresponding technical bulletins are attached.

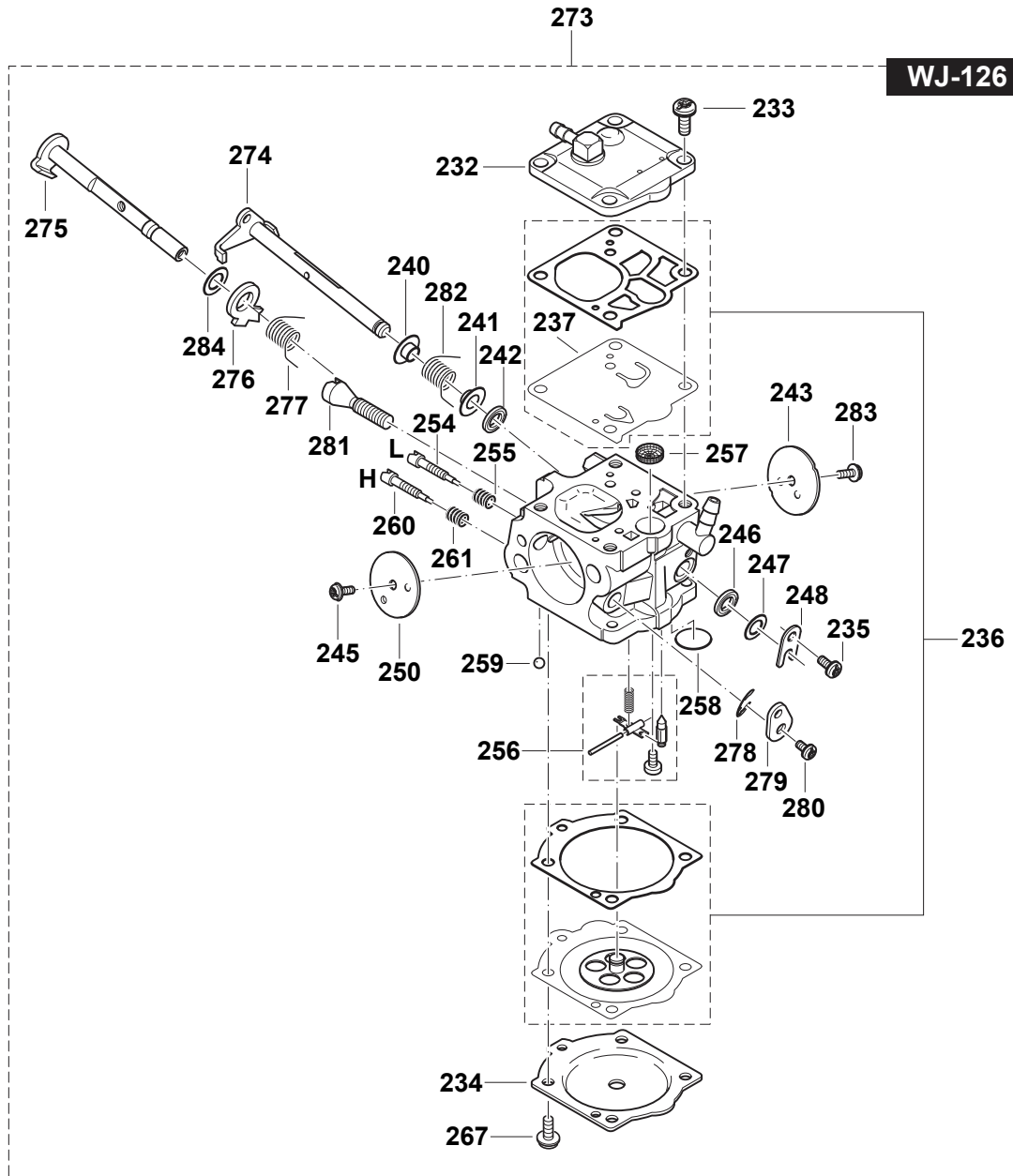
Section	Fig. No.	Part No.	Description	EK7301	Tech Bulletin	Notes
2	39	395-118-121	COVER ASSY.	1		
2	41	395-118-010	FIXING	1		
2	44	980-115-486	SAFETY LABEL	1		
2	45	395-118-050	RUBBER PART	1		
2	47	395-173-081	PREFILTER, EK7301	1		
2	47	395-173-080	PREFILTER	1		
2	48	395-118-021	PACKING RING	1		
2	49	395-173-011	AIR FILTER	1		
2	49	395-173-010	AIR FILTER	1		
2	50	395-173-020	INNER FILTER	1		
2	51	395-118-083	HOOD CPL., EK7301	1		
2	54	908-605-505	SCREW	4		
2	55	980-115-559	LABEL	1		
2	55	980-115-560	LABEL	1		
2	56	980-114-999	LABEL	1		



Products with multiple versions are listed in subsiding order with the newest version on top not indented.

Corresponding technical bulletins are attached.

Section	Fig. No.	Part No.	Description	EK7301	Tech Bulletin	Notes
3	59	395-171-072	CONNECTING MUFF CPL.	1		
3	60	024-131-032	INSERT FOR SUCTION HOSE	1		
3	63	965-518-120	GASKET	1		
3	64	908-204-555	SCREW	2		
3	65	970-502-050	TUBE	1		
3	67	394-150-042	CHOKE SHAFT	1		
3	68	965-452-382	TUBE	1		
3	69	965-401-016	RUBBER BUSH	1		
3	72	395-174-120	GASKET	1		
3	73	395-174-110	COOLING PLATE	1		
3	74	908-405-205	SCREW	2		
3	83	395-117-011	THROTTLE LINKAGE	1		
3	83	395-117-010	THROTTLE LINKAGE	1		
3	86	395-150-011	CHOKE LEVER	1		
3	205	928-405-000	DISC	1		
3	213	908-005-125	SCREW	1		
3	266	038-111-060	SQUARE NUT	1		
3	268	395-171-024	TUBE	1		
3	269	038-131-070	HOSE CLIP	1		
3	270	394-131-200	SUCTION HOSE	1		
3	271	394-131-210	SUCTION HOSE	1		
3	286	395-174-200	MUFFLER	1		
3	287	395-174-140	SPARK ARRESTER SCREEN	1		
3	288	913-242-100	ALLEN SCREW	1		



Products with multiple versions are listed in subsiding order with the newest version on top not indented.

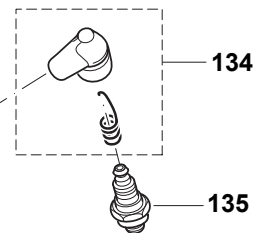
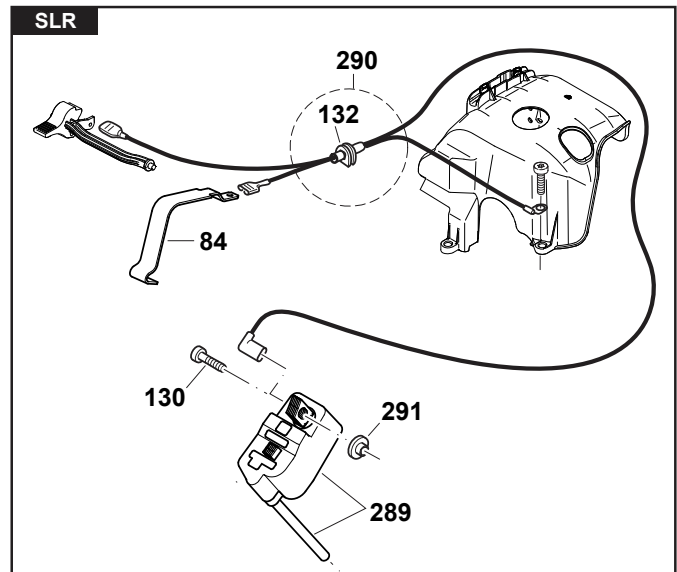
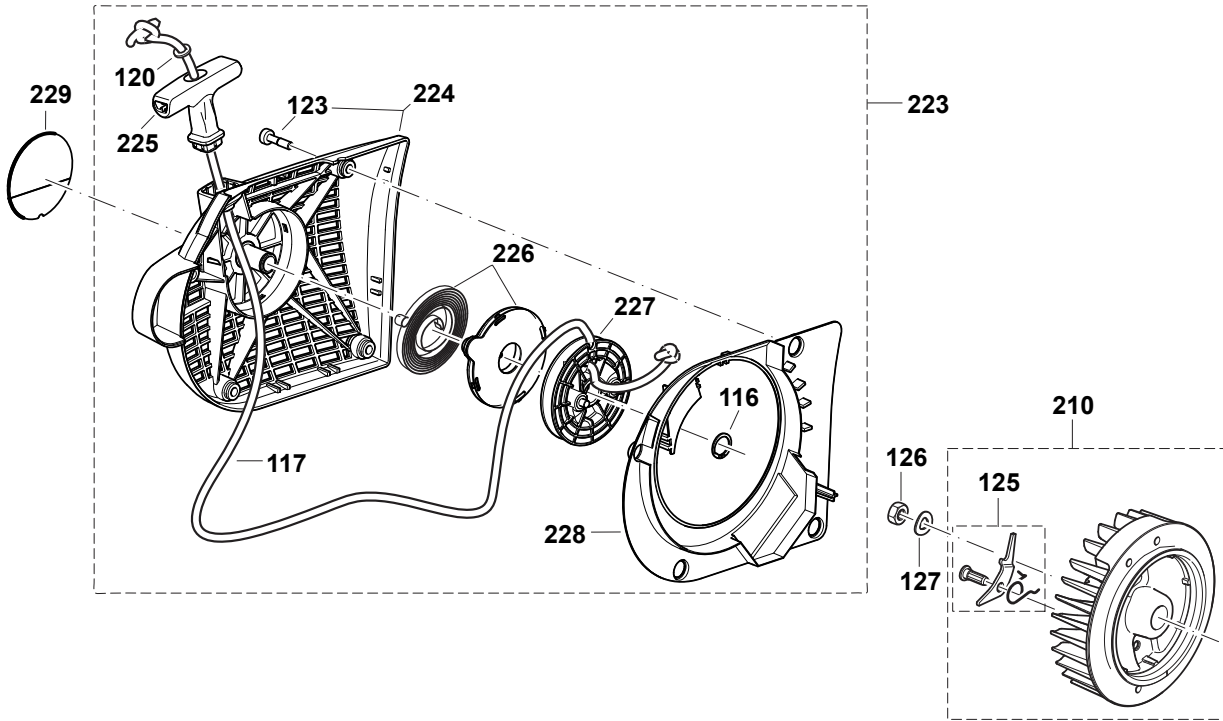
Corresponding technical bulletins are attached.

Section	Fig. No.	Part No.	Description	EK7301	Tech Bulletin	Notes
4	232	394-151-160	PUMP COVER CPL.	1		
4	233	144-150-170	SCREW	4		
4	234	395-151-120	DIAPHRAGM COVER	1		
4	235	378-151-220	SCREW	1		
4	236	957-151-180	SET DIAPHRAGM / GASKETS	1		
4	237	394-151-150	PUMP DIAPHRAGM	1		
4	240	394-151-315	BUSHING	1		
4	241	394-151-315	BUSHING	1		
4	242	394-151-330	PACKING RING	1		
4	243	394-151-320	THROTTLE SHUTTER	1		
4	245	394-151-660	SCREW	1		
4	246	394-151-330	PACKING RING	1		
4	247	394-151-400	DISC, DPC8112	1		
4	248	108-151-350	SHAFT CLIP	1		
4	250	395-151-260	CHOKE SHUTTER	1		
4	250	394-151-260	CHOKE SHUTTER	1		
4	254	394-151-470	IDLE ADJUSTMENT SCREW	1		
4	255	021-151-480	SPRING	1		
4	256	957-151-191	CONTROL PARTS	1		
4	256	957-151-190	CONTROL PARTS	1		
4	257	021-151-180	SCREEN	1		
4	258	394-151-040	COVER DISC	1		
4	259	394-151-510	LOCKING BALL	1		
4	260	001-151-450	MAIN ADJUSTM. SCREW	1		
4	261	021-151-480	SPRING	1		
4	267	378-151-220	SCREW	4		
4	273	395-151-025	CARBURETOR, EK7301,DPC7331,DPC8132	1		
4	273	395-151-024	CARBURETOR, EK7301,DPC7331,DPC8132	1		
4	274	395-151-130	THROTTLE SHAFT	1		
4	275	395-151-170	CHOKE SHAFT	1		
4	276	395-151-110	FAST IDLE LEVER	1		
4	277	395-151-190	TORSION SPRING	1		
4	278	119-151-350	SHAFT CLIP	1		
4	279	395-151-180	CHOKE LEVER	1		

Products with multiple versions are listed in subsiding order with the newest version on top not indented.

[Corresponding technical bulletins are attached.](#)

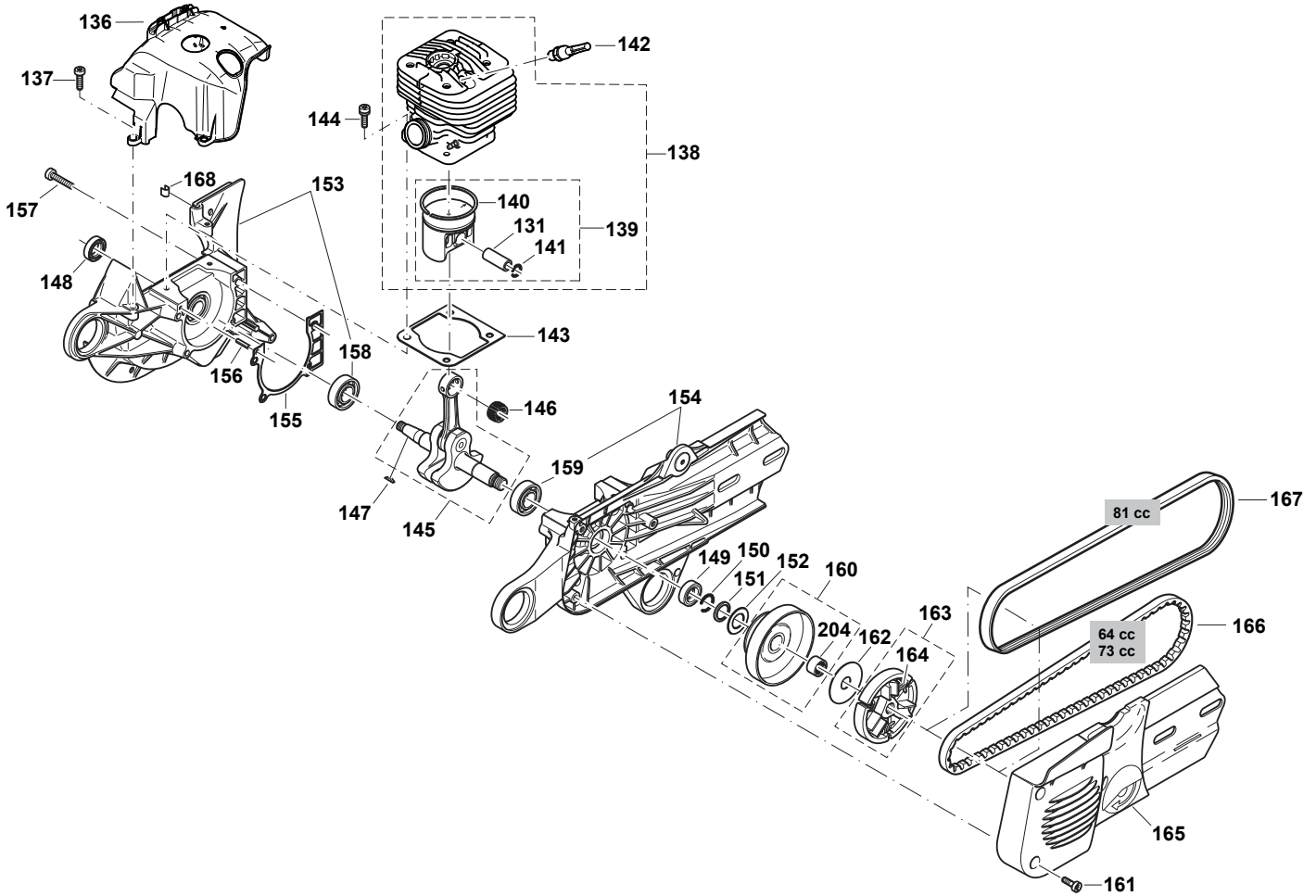
Section	Fig. No.	Part No.	Description	EK7301	Tech Bulletin	Notes
4	280	394-151-660	SCREW	1		
4	281	395-151-140	IDLE STOP SCREW	1		
4	282	395-151-150	TORSION SPRING	1		
4	283	395-151-160	SCREW	1		
4	284	170-151-290	WASHER	1		
5	84	395-146-011	CONTACT SPRING	1		



Products with multiple versions are listed in subsiding order with the newest version on top not indented.

Corresponding technical bulletins are attached.

Section	Fig. No.	Part No.	Description	EK7301	Tech Bulletin	Notes
5	116	929-314-100	SNAP RING	1		
5	117	394-164-020	STARTER ROPE BLACK	1		
5	117	122-164-010	STARTER ROPE	1		
5	120	928-405-000	DISC	1		
5	123	908-605-205	SCREW	4		
5	125	031-166-010	STARTER RATCHET CPL.	2		
5	126	920-208-024	HEXAGONAL NUT	1		
5	127	267822-3	SPRING WASHER 8	1		
5	127	926-208-001	SPRING WASHER	1		
5	130	908-605-205	SCREW	2		
5	132	965-401-016	RUBBER BUSH	1		
5	134	957-604-260	SPARK PLUG CAP CPL.	1		
5	135	965-603-021	SPARK PLUG	1		
5	210	394-141-090	FLYWHEEL ASSY.	1		
5	223	395-160-600	STARTER ASS'Y BLUE, DPC7331	1		
5	224	395-160-630	STARTER CASE BLUE, DPC7331	1		
5	225	181-164-010	STARTER KNOB	1		
5	226	181-163-050	REWIND SPRING IN HOUSING	1		
5	227	395-162-020	CABLE DRUM CPL.	1		
5	228	395-118-170	AIR GUIDE PLATE	1		
5	229	980-115-514	LABEL	1		
5	289	395-143-010	IGNITION COIL	1		
5	290	965-605-514	CABLE WITH PLUG	1		
5	290	965-605-513	CABLE WITH PLUG	1		
5	291	195-143-030	WASHER	2		
6	131	119-132-030	PISTON PIN	1		



Products with multiple versions are listed in subsiding order with the newest version on top not indented.

Corresponding technical bulletins are attached.

Section	Fig. No.	Part No.	Description	EK7301	Tech Bulletin	Notes
6	136	395-131-040	HOOD	1		
6	137	909-005-155	BOLT	3		
6	138	395-130-100	CYLINDER / PISTON, CPL.	1		
6	139	395-132-050	PISTON CPL.	1		
6	140	394-132-020	PISTON RING	1		
6	141	119-132-060	SPRING RING	2		
6	142	395-118-071	VALVE	1		
6	143	965-531-160	GASKET, METAL	1		
6	144	908-805-235	SCREW	4		
6	145	395-120-010	CRANKSHAFT CPL.	1		
6	146	962-210-121	NEEDLE CAGE	1		
6	146	962-210-015	NEEDLE CAGE	1		
6	147	939-630-370	KEY	1		
6	148	962-900-052	RADIAL RING	1		
6	149	962-900-052	RADIAL RING	1		
6	150	930-916-160	SPRING RING	1		
6	151	394-245-010	STOP RING	1		
6	152	394-182-020	GUIDE DISC	1		
6	153	395-111-110	CRANKC., MAG. SIDE	1		
6	154	326-111-740	CRANKC., CLUTCH SIDE	1		
6	155	965-531-111	GASKET	1		
6	156	936-430-160	CLAMPING PIN	2		
6	157	908-005-305	SCREW	5		
6	158	960-102-159	BALL BEARING (USE GLUE)	1		
6	159	960-102-159	BALL BEARING (USE GLUE)	1		
6	160	394-223-025	CLUTCH DRUM CPL.	1		
6	161	908-605-145	SCREW	3		
6	162	001-182-042	DISC	1		
6	163	010-180-024	CLUTCH ASSY.	1		
6	164	024-184-021	SPRING	3		
6	165	395-213-670	COVER	1		
6	166	965-300-470	V-BELT	1		
6	168	965-402-870	RUBBER PLATE	1		
6	204	962-300-017	NEEDLE BUSH	1		
7	169	325-341-611	HOOD	1		

Products with multiple versions are listed in subsiding order with the newest version on top not indented.

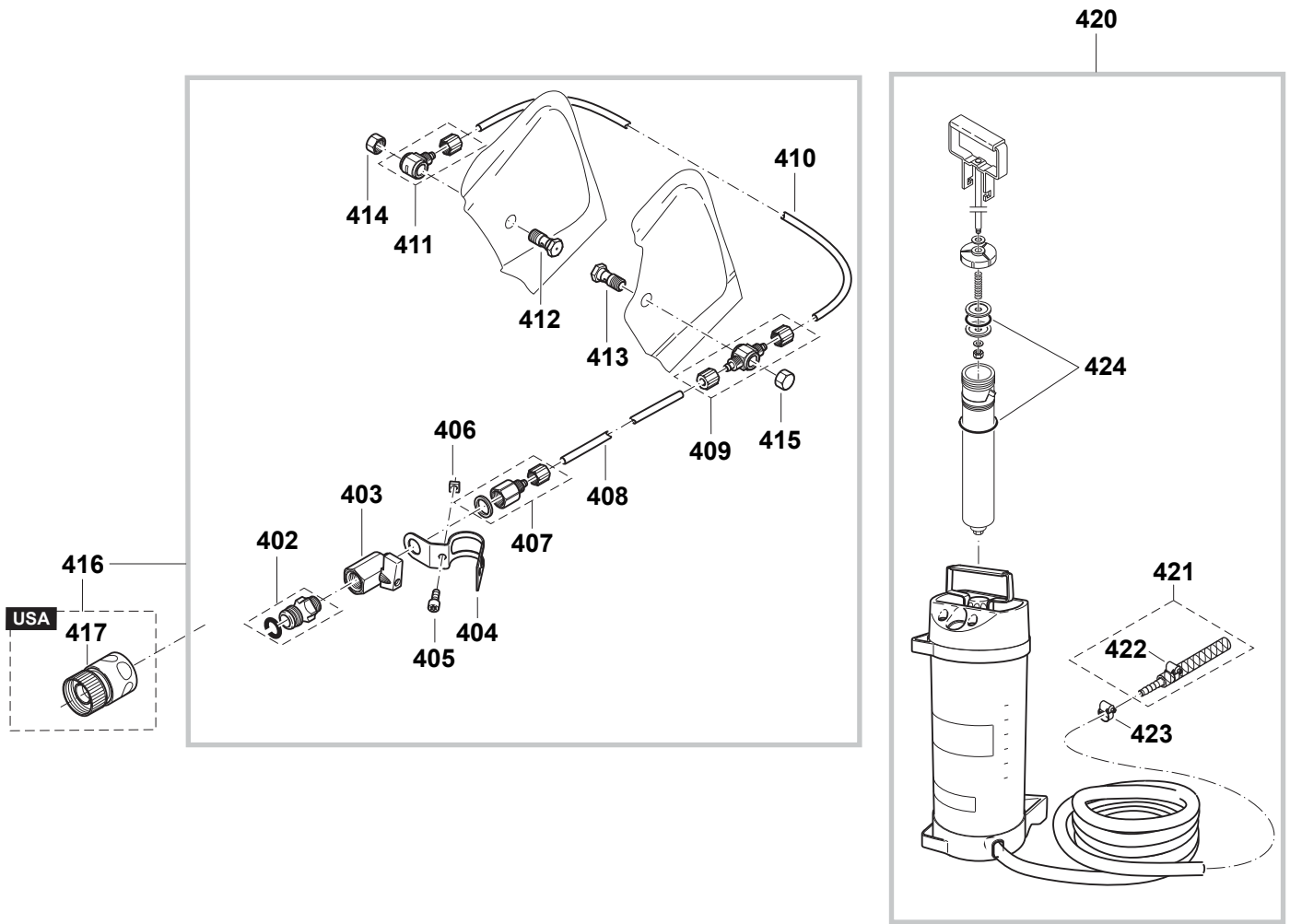
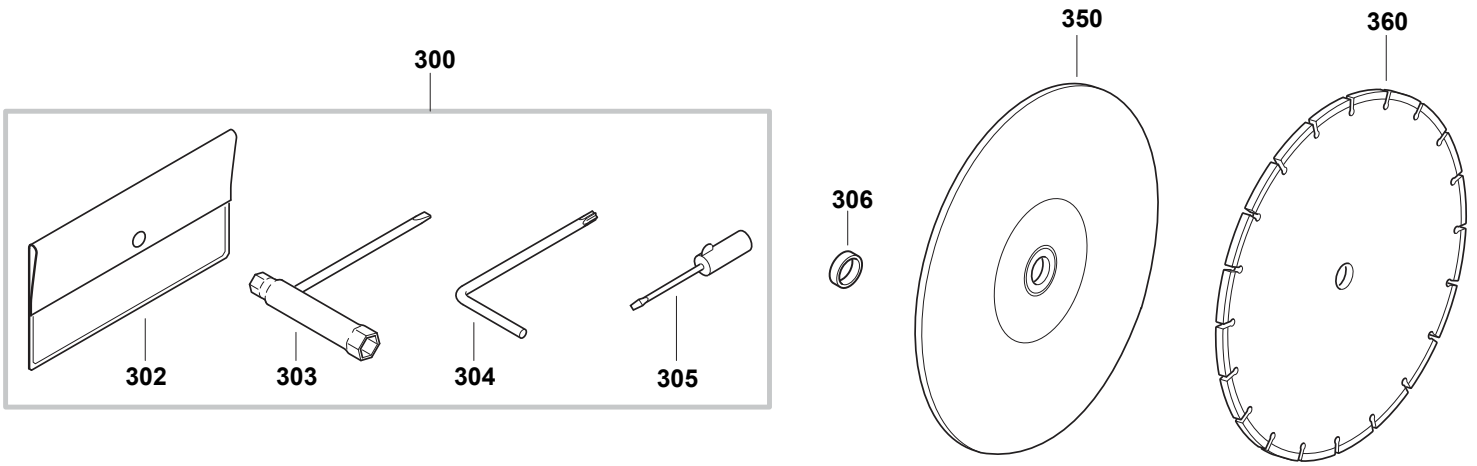
Corresponding technical bulletins are attached.

Section	Fig. No.	Part No.	Description	EK7301	Tech Bulletin	Notes
7	169	394-341-051	HOOD	1		
7	170	957-342-011	MOUNTING, CPL.	1		
7	171	394-342-180	SLIDING DISC	1		
7	172	394-342-180	SLIDING DISC	1		
7	173	965-404-900	RUBBER RING EXT.	1		
7	174	965-404-920	RUBBER RING INT.	1		
7	175	394-342-160	IMPACT PLATE	1		
7	176	394-342-211	PRESSURE RING CPL.	1		
7	177	394-211-740	CUTTING DEVICE ASSY.	1		
7	178	394-342-190	BOLT CPL.	1		
7	179	394-211-091	SCREW	2		
7	180	394-228-101	AXLE	1		
7	180	394-228-130	AXLE	1		
7	180	394-228-111	AXLE	1		
7	182	963-209-020	PACKING RING	1		
7	183	960-102-176	BALL BEARING	1		
7	184	960-102-176	BALL BEARING	1		
7	185	326-228-020	PRESSURE DISC	1		
7	186	326-228-020	PRESSURE DISC	1		
7	187	994-280-250	HEXAGONAL SCREW	1		
7	188	994-280-250	HEXAGONAL SCREW	1		
7	189	394-228-021	SPACER	1		
7	190	394-228-021	SPACER	1		
7	193	929-240-180	SNAP RING	1		
7	194	929-240-180	SNAP RING	1		
7	197	394-213-032	TENSIONING SCREW	1		
7	198	394-342-120	SPRING	1		
7	199	921-906-004	SQUARE NUT	1		
7	200	923-208-004	HAXAGONAL NUT	2		
7	201	980-114-975	SAFETY LABEL	1		
7	202	394-213-021	METAL SHEET	1		
7	206	452938-9	GRIP	1		
7	206	326-341-300	GRIP	1		
7	207	908-605-165	SCREW	2		

Products with multiple versions are listed in subsiding order with the newest version on top not indented.

[Corresponding technical bulletins are attached.](#)

Section	Fig. No.	Part No.	Description	EK7301	Tech Bulletin	Notes
7	218	395-211-640	COVER CPL.	1		
7	219	395-211-620	COVER	1		
7	221	394-221-050	BELT PULLEY	1		
8	300	957-004-006	TOOLS CPL.	1		



Products with multiple versions are listed in subsiding order with the newest version on top not indented.

Corresponding technical bulletins are attached.

Section	Fig. No.	Part No.	Description	EK7301	Tech Bulletin	Notes
8	302	950-004-002	PLASTIK BAG	1		
8	303	941-719-140	UNIVERSAL WRENCH	1		
8	304	940-827-000	ANGLED SCREW DRIVER	1		
8	305	944-340-001	SCREWDRIVER	1		
8	306	394-228-121	ADAPTER	1		
8	350	966-144-120	14" WHEEL, STONE, DPC7301	1		
8	402	964-802-282	HOSE CONNECTOR	1		
8	403	964-802-291	SHUT OFF COCK	1		
8	404	394-365-163	CLAMP	1		
8	404	394-365-160	CLAMP	1		
8	405	909-006-145	SCREW	1		
8	406	921-906-004	SQUARE NUT	1		
8	407	964-802-410	CONNECTING PIECE	1		
8	408	964-802-322	HOSE, DT2000	1		
8	409	964-802-332	CONNECTING PIECE	1		
8	410	964-802-322	HOSE	1		
8	410	964-802-322	HOSE, DT2000	1		
8	411	964-802-342	CONNECTING PIECE	1		
8	411	964-802-340	CONNECTING PIECE	1		
8	412	964-802-352	HOLLOW SCREW, BORED	1		
8	413	964-802-352	HOLLOW SCREW, BORED	1		
8	414	964-802-362	CAP NUT	1		
8	415	964-802-362	CAP NUT	1		
8	416	394-365-630	WATER ATTACHMENT KIT	1		
8	417	964-802-400	COUPLING SLEEVE	1		
8	420	957-802-600	PRESSURISED WATER TANK	1		
8	421	394-365-180	CONNECTING REDUCER	1		
8	422	964-802-250	HOSE CLIP	1		
8	423	964-802-250	HOSE CLIP	1		
8	424	957-963-200	GASKET SET	1		